
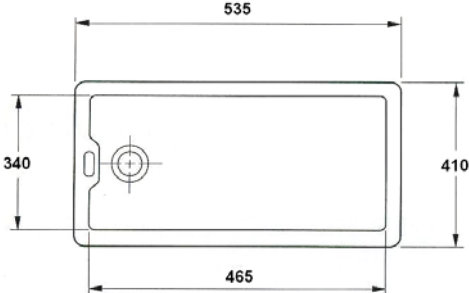
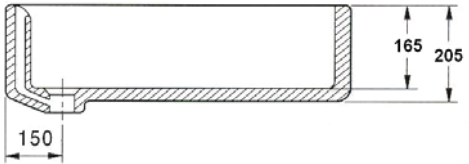




PROJECT		REF		REV	ITEM CODE	
LOCATION		DATE			PAGE	

## SANITARY WARE SPECIFICATION SHEET

Item Descriptions	Shires (UK) 'Belfast' fireclay sink	Illustration/ Drawing
Dimensions	535 x 410 x 205 mm	  
Model	BFF5302WH	
Material/Colour	Fireclay / White	
Manufacturer	Shires (UK)	
Source	Acme Sanitary Ware Co. Ltd Mr. Eric Wong/ Mr. Wilson Hung	
Contact Tel/Fax	(852) 2388-7171 / (852) 2710-8012	
E-mail	acme@acmesanitary.com.hk	
Website	www.acmesanitary.com.hk	

Note:

*\* All information of the above is the reference only. No prior notice is made if any changes.*